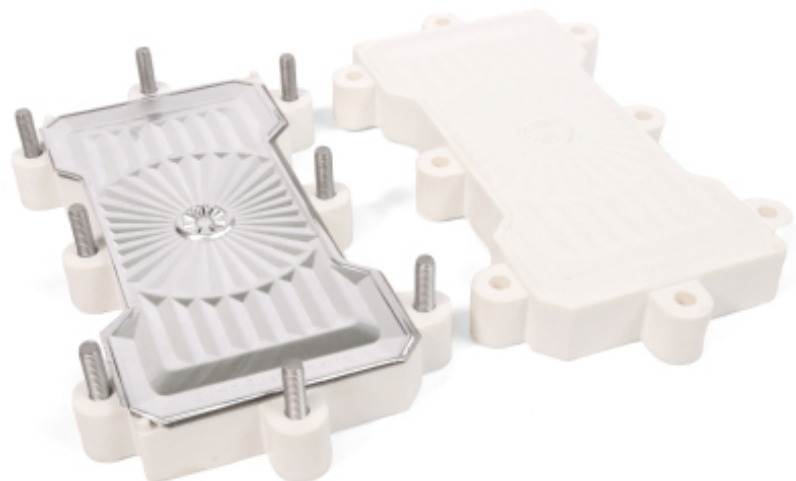


# PolyJet ToughONE™

PolyJet ToughONE™ expands the capabilities of PolyJet™ technology, bridging the gap between visual appeal and functional performance. Now, you can seamlessly transition from form-fit visual prototypes to robust functional prototypes, making it the ideal choice for industries demanding both strength and precision.

**PolyJet ToughONE™ can be used with the following printers:**

System Compatibility			
System	PolyJet ToughONE™ White	PolyJet ToughONE™ WhiteS	PolyJet ToughONE™ Black
J826™ Prime	●	○	○
J850/35™ Prime	●	○	●
J850 Pro	●	○	●
J850 Core	●	○	●
J835™	●	○	●
J850™ Digital Anatomy™	●	○	○
J55™ Prime	○	●	○
J5 MediJet®	○	●	○
J35™ Pro	○	●	○
J5 Digital Anatomy™	○	●	○





## Configuration: PolyJet ToughONE™ White Pure (Single Material) for J8 Series™ Printers

Values in parentheses are standard deviations.

Property	Units	Out of Printer	12 hr. Post-Cure @ 45 °C
<b>Tensile Properties: ASTM D638</b>			
<b>Yield Strength</b>	MPa	40 (2)	50 (2)
	ksi	5.8 (0.3)	7.3 (0.3)
<b>Elongation at Break</b>	%	55 (4)	53 (5)
<b>Modulus (Elastic)</b>	MPa	2,433 (185)	2,457 (87)
	ksi	353 (27)	356 (13)
<b>Flexural Properties: ASTM D790</b>			
<b>Strength at Break</b>	MPa	59 (4)	82 (5)
	ksi	8.6 (0.6)	11.9 (0.7)
<b>Modulus</b>	MPa	1,713 (106)	2,284 (157)
	ksi	248 (15)	331 (23)
<b>Impact Properties: ASTM D256, ASTM D4812</b>			
<b>Izod, Notched</b>	J/m	47 (4)	47 (4)
	ft•lb/in	0.88 (0.08)	0.88 (0.08)
<b>Izod, Unnotched</b>	J/m	1,160 (150)	1,131 (126)
	ft•lb/in	21.7 (2.8)	21.2 (2.4)
<b>Physical Properties</b>			
<b>HDT @ 0.45 MPa: ASTM D-648-06</b>	°C	49 (2)	61 (2)
	°F	120.2 (3.6)	141.8 (3.6)
<b>Tg: DMA, E''</b>	°C	51	74
	°F	123.8	165.2
<b>Shore Hardness</b>	Scale D	81 (1)	82 (1)

System Availability	Layer Thickness Capability	Support Structure	Available Color
J826 Prime J850/35 Prime J850 Pro J850 Core J835 J850 Digital Anatomy	Horizontal build layers down to 14 microns (0.00055 in.), depending on print mode	SUP705 (waterjet removable)	White

**Note:** Material properties may vary depending on printing parameters and post-processing conditions.



# Configuration: PolyJet ToughONE™ White Reinforced for J8 Series Printers

(Digitally Mixed With RGD531 Reinforcer)

Values in parentheses are standard deviations.

Property	Units	Out of Printer	12 hr. Post-Cure @ 45 °C	12 hr. Post-Cure @ 80 °C
<b>Tensile Properties: ASTM D638</b>				
<b>Yield Strength</b>	MPa	51 (1)	58 (2)	62 (1)
	ksi	7.4 (0.1)	8.4 (0.3)	9.0 (0.1)
<b>Elongation at Break</b>	%	46 (7)	31 (9)	24 (3)
<b>Modulus (Elastic)</b>	MPa	2,518 (109)	2,661 (86)	2,873 (61)
	ksi	365 (16)	386 (12)	417 (9)
<b>Flexural Properties: ASTM D790</b>				
<b>Strength at Break</b>	MPa	65 (2)	87 (6)	87 (4)
	ksi	9.4 (0.3)	12.6 (0.9)	12.6 (0.6)
<b>Modulus</b>	MPa	1,836 (46)	2,345 (120)	2,295 (93)
	ksi	266 (7)	340 (17)	333 (13)
<b>Impact Properties: ASTM D256, ASTM D4812</b>				
<b>Izod, Notched</b>	J/m	94 (5)	96 (4)	105 (7)
	ft•lb/in	1.76 (0.09)	1.80 (0.08)	1.96 (0.13)
<b>Izod, Unnotched</b>	J/m	1,108 (28)	1,042 (127)	928 (131)
	ft•lb/in	20.7 (0.5)	19.5 (2.4)	17.4 (2.5)
<b>Physical Properties</b>				
<b>HDT @ 0.45 MPa: ASTM D-648-06</b>	°C	53 (1)	65 (1)	79 (1)
	°F	127.4 (1.8)	149.0 (1.8)	174.2 (1.8)
<b>HDT @ 1.82 MPa: ASTM D-648-06</b>	°C	46 (1)	57 (1)	61 (1)
	°F	114.8 (1.8)	134.6 (1.8)	141.8 (1.8)
<b>Tg: DMA, E''</b>	°C	60	74	79
	°F	140.0	165.2	174.2
<b>Shore Hardness</b>	Scale D	82 (1)	82 (2)	84 (2)

System Availability	Layer Thickness Capability	Support Structure	Available Color
J826 Prime J850/35 Prime J850 Pro J850 Core J835 J850 Digital Anatomy	Horizontal build layers down to 14 microns (0.00055 in.), depending on print mode	SUP705 (waterjet removable)	White

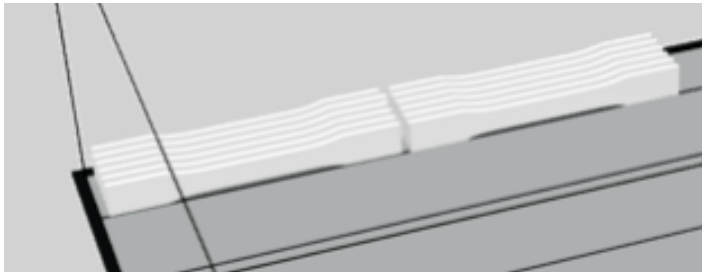
**Note:** Material properties may vary depending on printing parameters and post-processing conditions.



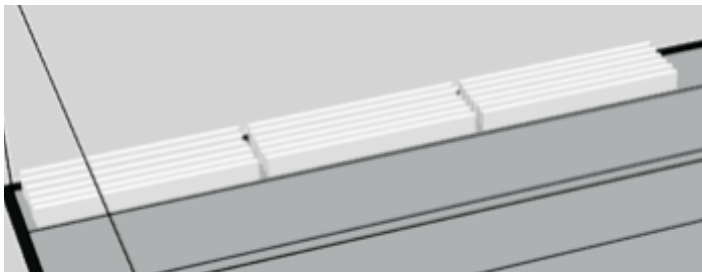
## Printing and Measurement Details: PolyJet ToughONE™ White for J8 Series Printers

**The following procedures were used to obtain the values found in this datasheet.**

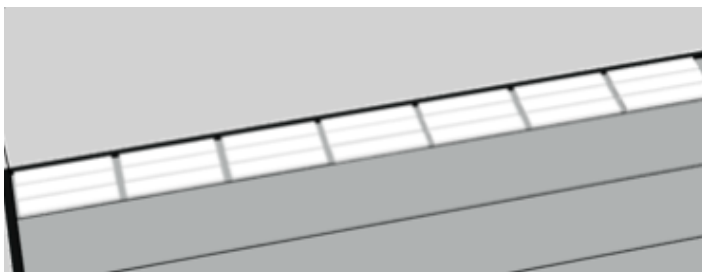
- Post-curing was performed with the [ProLight™ Cure Box](#) at 45/80 °C for 12 hrs using visible blue light (450 nm wavelength).
- Samples were measured within 24 hours of printing or post-curing.
- Support removal was done mechanically, without using waterjet.
- Dogbones and flexural bars were printed glossy in the XZ orientation, in one pass (see illustration below).
- Izod impact bars were printed glossy in XY orientation, in one pass (see illustration below).



**Dogbones, glossy XZ**



**Flexural bars, glossy XZ**



**Izod impact bars, glossy XY**

**Note:** Material properties may vary depending on printing parameters and post-processing conditions.



## Configuration: PolyJet ToughONE™ Black for J8 Series Printers

There is no need to post-cure the PolyJet ToughONE™ Black material. Values in parentheses are standard deviations.

Property	Units	PolyJet ToughONE™ Black Pure	PolyJet ToughONE™ Black Reinforced (With RGD531S)
<b>Tensile Properties: ASTM D638</b>			
<b>Yield Strength</b>	MPa	46 (4.5)	54 (8)
	ksi	6.7 (0.7)	7.8 (1.2)
<b>Elongation at Break</b>	%	43 (8)	30 (4)
<b>Modulus (Elastic)</b>	MPa	2788 (186)	2968 (378)
	ksi	404 (27)	430 (55)
<b>Flexural Properties: ASTM D790</b>			
<b>Strength at Break</b>	MPa	67 (5)	86 (5)
	ksi	9.7 (0.7)	12.5 (0.7)
<b>Modulus</b>	MPa	2152 (106)	2483 (151)
	ksi	312 (15)	360 (22)
<b>Impact Properties: ASTM D256, ASTM D4812</b>			
<b>Izod, Notched</b>	J/m	45 (2)	100 (3)
	ft•lb/in	0.84 (0.3)	1.9 (0.6)
<b>Izod, Unnotched</b>	J/m	1087 (80)	1019 (160)
	ft•lb/in	20.3 (1.1)	19.1 (3)
<b>Physical Properties</b>			
<b>HDT @ 0.45 MPa: ASTM D-648-06</b>	°C	49 (1)	59 (3)
	°F	120 (1.8)	138.2 (5.4)
<b>Tg: DMA, E''</b>	°C	52 (1)	56 (1)
	°F	126 (1.8)	132.8 (1.8)
<b>Shore Hardness</b>	Scale D	73 (1)	75 (1)

System Availability	Layer Thickness Capability	Support Structure	Available Color
J850/35 Prime J850 Pro J850 Core J835	Horizontal build layers down to 14 microns (0.00055 in.),	SUP705 (waterjet removable)	Black

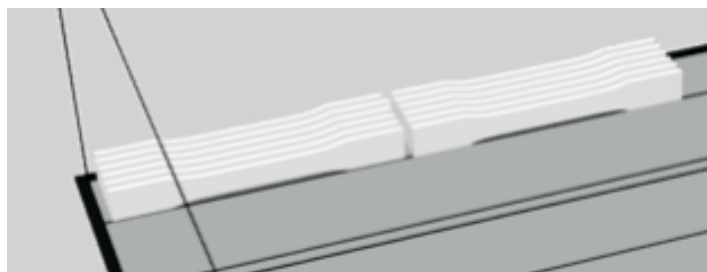
**Note:** Material properties may vary depending on printing parameters and post-processing conditions.



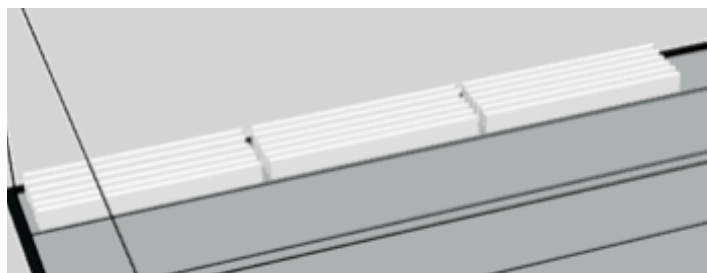
## Printing and Measurement Details: PolyJet ToughONE™ Black for J8 Series Printers

**The following procedures were used to obtain the values found in this datasheet.**

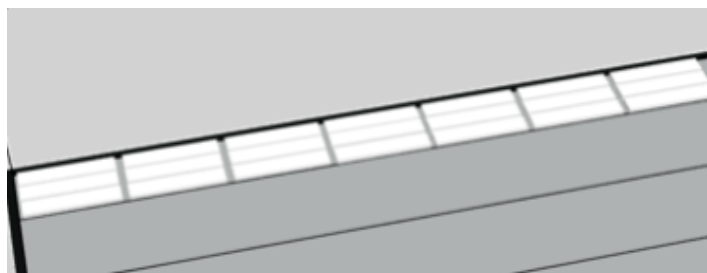
- Samples were measured within 24 hours of printing or post-curing.
- Support removal was done mechanically, without using waterjet.
- Dogbones and flexural bars were printed glossy in the XZ orientation, in one pass (see illustration below).
- Izod impact bars were printed glossy in XY orientation, in one pass (see illustration below).



**Dogbones, glossy XZ**



**Flexural bars, glossy XZ**



**Izod impact bars, glossy XY**

**Note:** Material properties may vary depending on printing parameters and post-processing conditions.



## Configuration: PolyJet ToughONE™ WhiteS for J35 Pro and J5 Series Printers

There is no need to post-cure the PolyJet ToughONE™ WhiteS material. Values in parentheses are standard deviations.

Property	Units	PolyJet ToughONE™ WhiteS Pure	PolyJet ToughONE™ WhiteS Reinforced (With RGD531S)
<b>Tensile Properties: ASTM D638</b>			
<b>Yield Strength</b>	MPa	39 (3)	49 (2)
	ksi	5.6 (0.4)	7.1 (0.3)
<b>Elongation at Break</b>	%	40 (10)	38 (5)
<b>Modulus (Elastic)</b>	MPa	2,229 (151)	2,596 (170)
	ksi	323 (22)	376 (25)
<b>Flexural Properties: ASTM D790</b>			
<b>Strength at Break</b>	MPa	57 (7)	67 (4)
	ksi	8.3 (1)	9.7 (0.6)
<b>Modulus</b>	MPa	1,772 (278)	1,864 (142)
	ksi	257 (40)	270 (21)
<b>Impact Properties: ASTM D256, ASTM D4812</b>			
<b>Izod, Notched</b>	J/m	45 (4)	71 (4)
	ft•lb/in	0.84 (0.08)	1.33 (0.08)
<b>Izod, Unnotched</b>	J/m	1,285 (61)	961 (66)
	ft•lb/in	24.0 (1.1)	18.0 (1.2)
<b>Physical Properties</b>			
<b>HDT @ 0.45 MPa: ASTM D-648-06</b>	°C	46 (2)	52 (2)
	°F	114.8 (3.6)	125.6 (3.6)
<b>Tg: DMA, E''</b>	°C	60 (1)	63 (1)
	°F	140.0 (3.6)	145.4 (3.6)
<b>Shore Hardness</b>	Scale D	74 (1)	74 (1)

System Availability	Layer Thickness Capability	Support Structure	Available Color
J35 Pro J55 Prime J5 MediJet J5 Digital Anatomy	Horizontal build layers down to 18.75 microns (0.0007 in.), depending on print mode	SUP710S (waterjet removable)	White

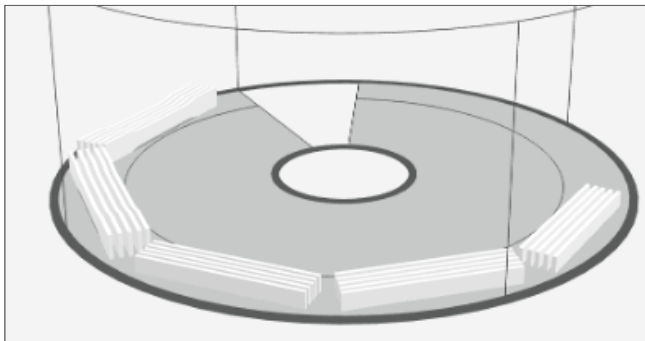
**Note:** Material properties may vary depending on printing parameters and post-processing conditions.



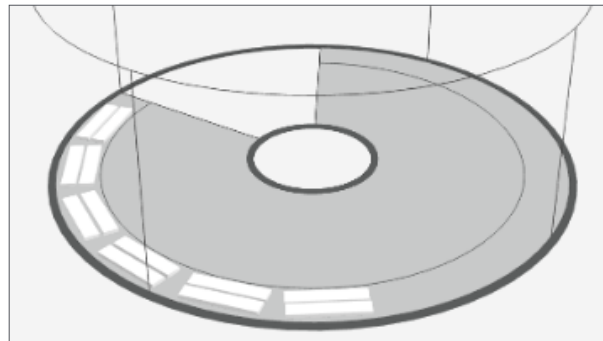
## Printing and Measurement Details: PolyJet ToughONE™ WhiteS for J35 Pro and J5 Series Printers

The following procedures were used to obtain the values found in this datasheet.

- Dog bones, flexural bars and Izod impact specimens are printed glossy in  $\theta$  orientation, outer swat
- Samples are measured within 24 hrs after printing



Dog bones and flexural bars, glossy  
 $\theta$  orientation



Izod impact bars, glossy  
 $\theta$  orientation

**Note:** Material properties may vary depending on printing parameters and post-processing conditions.



[stratasys.com](https://www.stratasys.com)

ISO 9001:2015  
Certified

Stratasys Headquarters  
5995 Opus Parkway,  
Minnetonka, MN 55343  
+1 800 801 6491 (US Toll Free)  
+1 952 937-3000 (Intl)  
+1 952 937-0070 (Fax)

1 Holtzman St.  
Science Park  
Rehovot, 7670401  
Israel  
+972 74 745 4000  
+972 74 745 5000 (Fax)

**MATERIAL DATA SHEET**

PolyJet ToughONE™

© 2026 Stratasys. All rights reserved. Stratasys, Stratasys signet, PolyJet ToughONE™, PolyJet, J826, J835, J850, Digital Anatomy, J55, J5 MediJet, J35, J5 Digital Anatomy, J8 Series, and ProLight are trademarks or registered trademarks of Stratasys Ltd. and/or its subsidiaries or affiliates and may be registered in certain jurisdictions. All other trademarks are the property of their respective owners, and Stratasys assumes no responsibility with regard to the selection, performance, or use of these non-Stratasys products. Product specifications subject to change without notice. MDS\_PJ\_PolyJet ToughONE™\_FullData\_0326a.